



Fulbrook Lane, Sherbourne,
Warwick, CV35 8AR, ENGLAND

Tel: 01926 624800
Fax: 01926 624900

LYNX INTERCOM EQUIPMENT

HEADSET CONVERTER (UK NATO)

REF: E076-0 07-06-08

INSTALLATION INSTRUCTIONS

The UK NATO Headset Converter allows aviation headsets, or helmets, with UK NATO jack plugs to be used in aircraft which have Lynx intercom equipment installed.

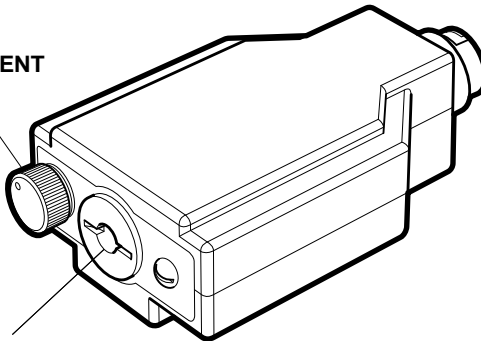
The converter is only intended for use with intercom equipment manufactured by Lynx Avionics.

WARNING:

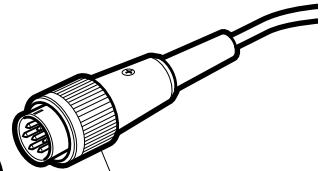
Connecting the Headset Converter to a Micro System interface unit switches the interface on.

If you wish to leave the converter connected to a Micro System interface, you will need to isolate the power to the interface using a master switch.

HEADSET
VOLUME
ADJUSTMENT

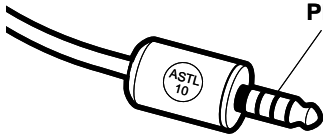


UK NATO
JACK SOCKET



RADIO/POWER
INTERFACE UNIT

UK NATO
PLUG



NOTE:

The UK NATO Headset Converter is factory set to work with headsets or helmets that are fitted with non amplified Dynamic microphones.

This setting can be altered to accommodate either amplified microphones or non amplified Electret microphones (See configuration instruction sheet).

IMPORTANT

READ THIS INFORMATION CAREFULLY BEFORE
ATTEMPTING TO USE THIS ITEM OF EQUIPMENT