



Fulbrook Lane, Sherbourne,  
Warwick, CV35 8AR, ENGLAND

Tel: 01926 624800  
Fax: 01926 624900

LYNX INTERCOM EQUIPMENT

# HEADSET CONVERTER (SINGLE JACK)

REF: E073-0 07-06-08

## INSTALLATION INSTRUCTIONS

The Single Jack Headset Converter allows aviation headsets, or helmets, with 6.35mm/0.25" jack plugs to be used in aircraft which have Lynx intercom equipment installed.

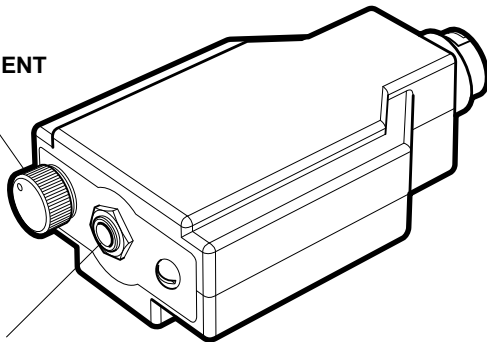
The converter is only intended for use with intercom equipment manufactured by Lynx Avionics.

### WARNING:

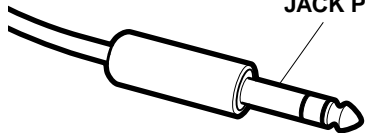
Connecting the Headset Converter to a Micro System interface unit switches the interface on.

If you wish to leave the converter connected to a Micro System interface, you will need to isolate the power to the interface using a master switch.

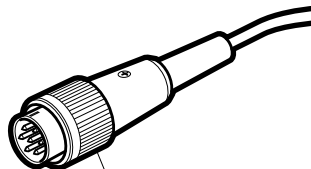
HEADSET  
VOLUME  
ADJUSTMENT



STEREO  
JACK SOCKET  
(Ø 6.35mm/0.25")



STEREO  
JACK PLUG



INTERFACE UNIT

### NOTE:

The Single Jack Headset Converter is factory set to work with headsets or helmets that are fitted with non amplified Electret microphones.

This setting can be altered to accommodate either amplified microphones or non amplified Dynamic microphones (See configuration instruction sheet).

**IMPORTANT**

READ THIS INFORMATION CAREFULLY BEFORE  
ATTEMPTING TO USE THIS ITEM OF EQUIPMENT